

KP KNIFE GATE VALVE

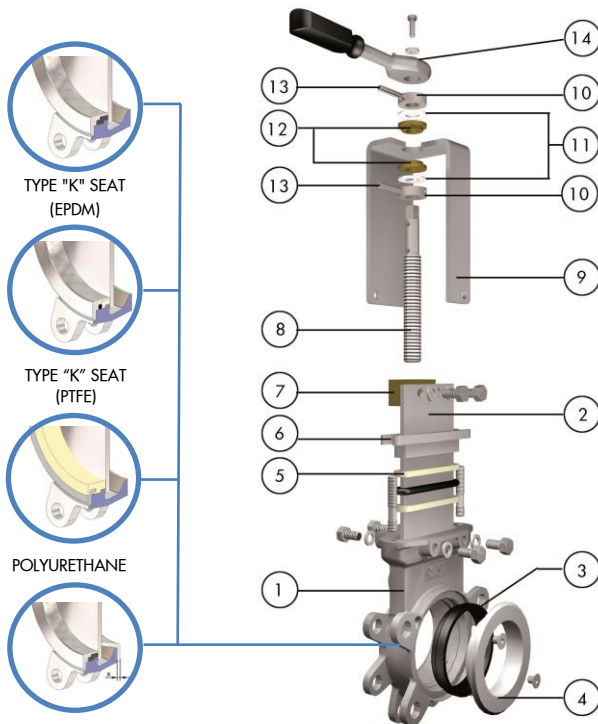
The KP model knife gate valve provides isolation of a level instrument transmitter from a storage tank. The installation of this valve allows the replacement of the transmitter or its maintenance without disrupting the process or draining the vessel

Product description:

- Uni-directional wafer type knife gate valve
- Size: DN 80
- Non rising stem
- Standard flange connection pipe side:
DIN PN10 (EN 1092-2) and ANSI B16.5 (class 150)
Tank side: see Main Dimensions
- Actuated by ratchet handle
- For EU Directives and other Certificates, please see the document:
Directives and Certificates Compliance - Knife Gate Valves - Catalogues and Datasheets

Features:

- Wafer style cast stainless steel monoblock body with raised faces and internal cast in gate wedges and guides for tighter shut-off
- Full port design for greater flow capacity and minimal pressure drop
- Stainless steel gate polished both sides to avoid jamming and seat damage
- Standard EPDM seat, also available in other materials (PTFE,...) with cast stainless steel seat ring, easily replaceable, that mechanically locks the seal. Deflection cones available
- Long-life multiple graphite impreg. PTFE/aramid yarn combination with elastomeric core, EPDM O-ring, packing with easy access and adjusting gland follower. Wide range of materials available



STANDARD PARTS LIST

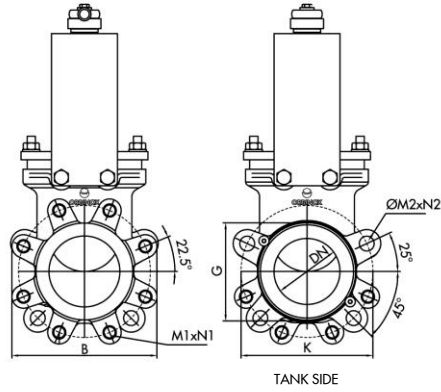
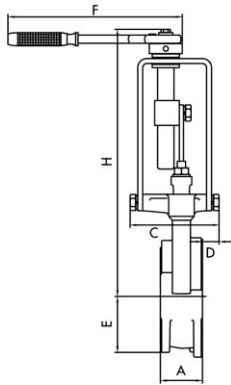
Part	Material
1 Body	CF8M (1.4408)
2 Gate	AISI 316 (1.4404)
3 Seat	EPDM
4 "K" Ring	AISI 316 (1.4404)
5 Packing	Dynapack + EPDM O-ring
6 Gland Follower	CF8M (1.4408)
7 Stem Nut	Brass
8 Stem	Stainless Steel
9 Yoke	AISI 304 (1.4301)
10 Axial fixing bush	AISI 304 (1.4301)
11 Friction washer	PET + solid lubricant
12 Bushing	Bronze
13 Spring Pin	AISI 420 (1.4021) (ISO 8752)
14 Ratchet Handle	Carbon steel
15 Bolts & Nuts	A2

DEFLECTION CONE "C"

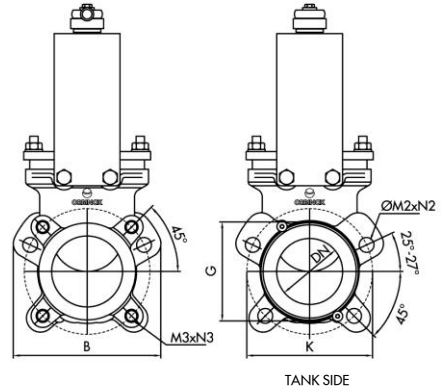
KP KNIFE GATE VALVE

MAIN DIMENSIONS

	DN	Pressure	PN 10								ANSI class 150		TANK SIDE				
			A	B	C	D	E	F	G	H	K	M3	N3	ØM2	N2		
PN10	80	10 bar	51	177	110	22	88	212	120	325	160	M16	8	-	-	18	4
ANSI class 150	80	10 bar	51	180	110	22	74	212	120	325	152.4	-	-	5/8 -11 UNC	4	18	4



PN 10



ANSI class 150

