

DT SERIES 80 KNIFE GATE VALVE

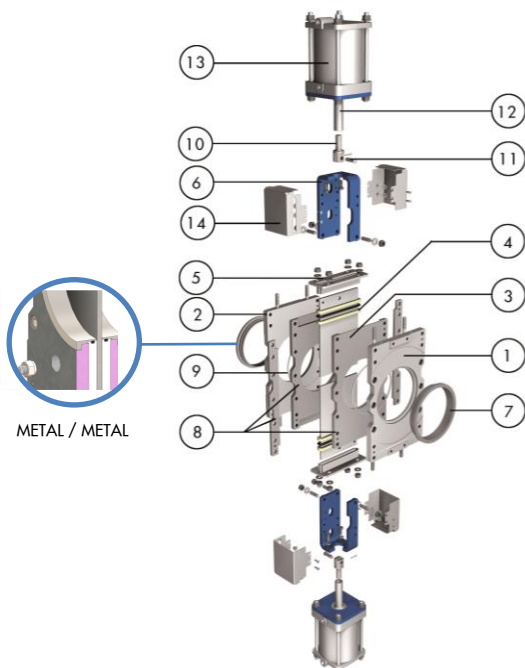
The SERIES 80 (DT) model knife gate valve is a bi-directional wafer type double gate valve that is widely used in the Pulp and Paper industry (paper recycling). This valve has been specially designed to handle highly concentrated or contaminated media

Product description:

- Bi-directional wafer type double gate knife gate valve
- Size range of DN 4"-24" (larger sizes upon request). See Dimension Charts for pressure rating
- Standard flange connection: EN 1092 PN10 and ASME B16.5 (class 150)
Others available upon request
- Double acting pneumatic actuation
- For EU Directives and other Certificates, please see the document:
Directives and Certificates Compliance - Knife Gate Valves - Catalogues and Datasheets

Features:

- Internally machined cast or fabricated two-part bolted body with HMWPE liners for optimum gate guiding and sliding when traveling
- Full port design for greater flow capacity and minimal pressure drop
- Double stainless steel gate, polished both sides to avoid jamming and seat damage
- Two cast stainless steel seat rings, easily replaceable, that protect the body
- Dual packing with easy access and adjustable packing glands ensuring a tight seal. Long life PTFE impregnated synthetic fiber plus EPDM O-ring. Wide range of packing materials available
- RAL-5015 blue epoxy-coating on all cast iron/carbon steel components
- Automated valves provided with gate guards in accordance with EU Safety Standards. Only in EU
- Other options: special materials, fabricated valves, etc.
- Actuation accessories: limit & proximity switches, mechanical stops, positioners, solenoid valves, manual overrides, locking devices and fail safe systems



STANDARD PARTS LIST

Part	Carbon Steel / Stainless steel
1 Body	Carbon steel / AISI 316
2 Counterbody	Carbon steel / AISI 316
3 Gate	AISI 304 / AISI 316
4 Packing	PTFE impreg. synth. fibre + EPDM O-ring
5 Gland Follower	Carbon steel / AISI 316
6 Yoke	Carbon steel - Epoxy coated
7 Seat Rings	CF8M
8 Body Liner	HMW Polyethylene
9 O-ring	Nitrile
10 Clevis	17-4 PH
11 Pin	AISI 304 (1.4301)
12 Piston Rod	AISI 304 (1.4301)
13 Cylinder	Aluminium
14 Gate Guards	AISI 304 (1.4301)

* Refer to full catalogue for complete details

DT SERIES 80 KNIFE GATE VALVE



DIMENSIONS Pneumatic Actuator (D/A)

DN	Pressures	A	B	C	D	E	F	G	H	Weight (lbs.)	Std.Cyl.	Connect.
4"	150 psi	1.96	6.37	4.00	5.52	5.19	6.65	4.53	34.72	106	C4"-2.05"	1/4"G
5"	150 psi	1.96	8.27	4.00	5.74	5.59	7.04	5.51	36.77	124	C5"-2.55"	1/4"G
6"	150 psi	2.36	8.46	4.00	6.88	6.06	8.11	5.51	42.12	148	C5"-3.07"	1/4"G
8"	150 psi	2.36	10.43	6.50	8.26	8.03	9.48	6.89	31.57	176	C6.30"-4.05"	1/4"G
10"	150 psi	2.75	12.99	10.63	10.43	9.09	11.22	8.66	61.49	198	C8"-5.04"	3/8"G
12"	90 psi	2.75	14.96	10.63	12.00	10.07	12.20	8.66	68.18	353	C8"-6.02"	3/8"G
14"	90 psi	3.78	17.71	10.63	12.79	12.79	13.38	10.90	77.95	562	C10"-7.08"	3/8"G
16"	90 psi	3.93	20.07	10.63	13.77	13.97	14.92	10.90	84.25	750	C10"-8.08"	3/8"G
18"	75 psi	4.17	22.24	10.63	15.94	14.92	15.78	15.03	93.31	893	C12"-9.05"	1/2"G
20"	60 psi	4.49	24.01	10.63	17.71	16.53	17.52	15.03	103.54	1080	C12"-10.03"	1/2"G
24"	60 psi	4.49	28.15	10.63	20.00	18.50	19.48	15.03	115.35	1279	C12"-12.01"	1/2"G

