

SWING DISC VALVE

The SK model is a valve with cast body, metal seat and metal disc. Full port when open. This is a suitable valve for severe high cycle service like junk trap application,...

- Junk trap
- Bulk handling
- etc.

Main features:

- Short Face to Face (light design)
- 1/4 turn actuator
- Lever protection to prevent from trapping of metal parts
- Design pressure 3 bar (off seat)
- Metal seated with improved tightness



Sizes:

DN 125 and DN 200 (larger diameters on request)

Working pressure:

Up to 3 bar

Standard flange connection:

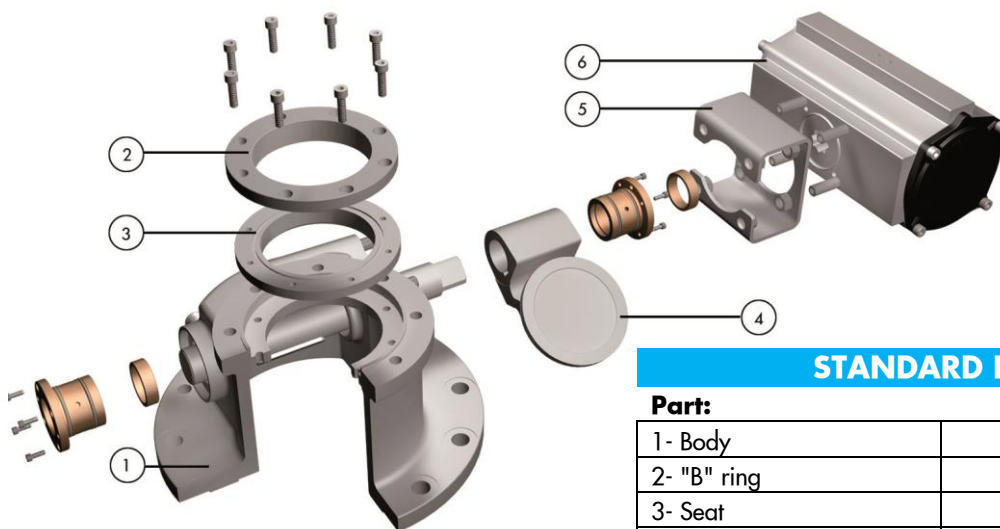
EN1092 PN 10

ANSI B16.5 (class 150)

All valves are tested prior to shipping in accordance with the standard developed by the Quality Control Department at ORBINOX.



Junk trap application

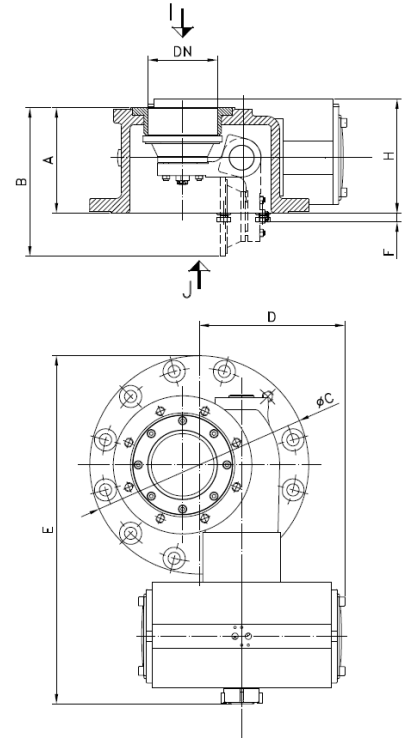


STANDARD PARTS LIST

Part:	Stainless steel:
1- Body	CF8M (1.4408)
2- "B" ring	CF8M (1.4408)
3- Seat	CF8M (1.4408)
4- Disc	CF8M (1.4408)
5- Yoke	AISI 304 (1.4301)
6- Pneumatic Actuator	-

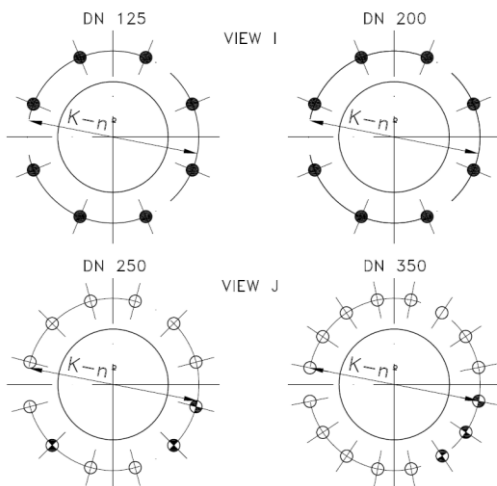
PNEUMATIC ACTUATOR

- Double acting 1/4 turn actuator
- Air supply: 4-10 bar. Actuator sized for 5 bar air supply

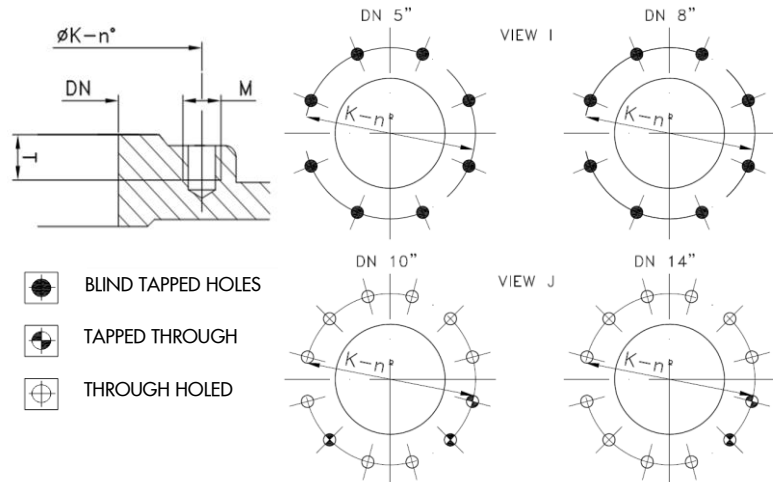


DN	A	B	Ø C	D	E	F	H	Weight (kg)	Air Connection
125	190	268	395	263	630	16	206	83	1/4"
200	228	360	505	360	835	15	280	163	1/4"

EN 1092-2 PN10



ANSI B16.5 , class 150



DN	K	n°	M	T	⊙ ⊕ ⊕
View I					
125	210	8	M-16	18	8 - 0 - 0
200	295	8	M-20	18	8 - 0 - 0
View J					
250	350	12	M-20	24	0 - 3 - 9
350	460	16	M-20	30	0 - 3 - 13

DN	K	n°	M	T	⊙ ⊕ ⊕
View I					
5"	8 1/2"	8	3/4" UNC	18	8 - 0 - 0
8"	11 3/4"	8	3/4" UNC	18	8 - 0 - 0
View J					
10"	14 1/4"	12	7/8" UNC	24	0 - 3 - 9
14"	18 3/4"	12	1" UNC	30	0 - 2 - 10